

T-AGB

Compact Automatic Spray Gun



- Features**
- The T-AGB gun is a compact automatic gun utilizing the DeVilbiss air cap known as the high performance and high quality. (Length 92mm, weight 270g - 570g)
 - It can also be used as a paint circulating system inside the gun which is suited for quickly settling paint.

- Applications**
- It can be attached to all types of automatic painting machines, but it is especially suited for measurably restricted areas.
 - It can also be used with painting robots. (It can also easily handle switching the pattern width and changes with the flow rate within one program)

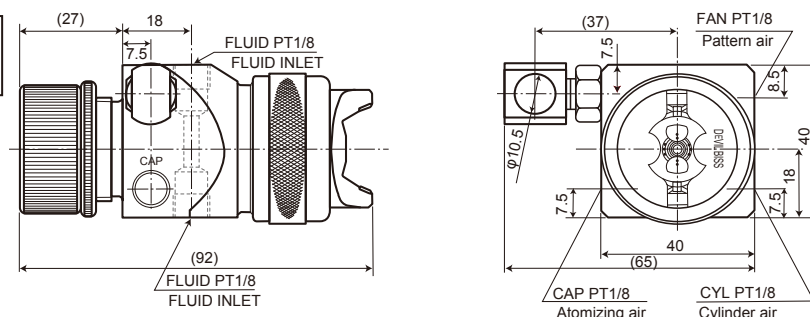
- Gun Body**
- Select from either aluminum or stainless steel for the gun body, and in addition, all metal parts can be changed to stainless steel or high corrosion resistant stainless steel for special application.

- Fluid tips**
- Fluid tip is made of stainless steel as a standard but it is also available with nitralloy and tungsten carbide.

- Needles**
- The standard material for the needle is stainless steel but it is also available with abrasion proof tungsten carbide.

- How to Use**
- The T-AGB gun does not have an air valve mechanism inside the gun, so it can be used as an air bleeder type or please pay attention to on/off timing of air and fluid.
*Please set the cylinder air (CYL) pressure to 3.5kgf/cm² or higher.

T-AGB
Dimensional Drawing



Typical types of Air caps / Fluid tips / Needles

Air caps

Air Cap No.	Parts number	Typical Applications	Features	Air consumption and Air inlet pressure			Spray Pattern (Distance 18 cm)	Combination Fluid tip
				ℓ/min	(kgf/m ²)			
62	MB-4039-62	Maintenance painting/Enamels	For high flow rates	302(2.1)	367(2.8)	440(3.5)	18 ~ 22	AC
64	MB-4039-64	Enamels/high viscous liquid	Low and medium pressure type	314(2.1)	386(2.8)	459(3.5)	30 ~ 36	D
67	MB-4039-67	Enamels	High pressure type	462(3.5)	532(4.2)	608(4.9)	25 ~ 30	EE
110	AV-242-110	Marking/Small spots	For round pattern	95(2.1)	118(2.8)	137(3.5)	—	FX, G
265	AV-1239-265R	Automotives/Metallics	Finest atomization	483(3.5)	577(4.2)	636(4.9)	23 ~ 36	E, FF, FX, G
704	AV1239-704	Electronics/Fine finish furniture and wood/Enamels	Medium pressure type	283(2.1)	347(2.8)	414(3.5)	18 ~ 23	E, FF, FX, G
705	AV1239-705	Hot spray/Fine finishing	Low pressure type	202(1.4)	230(2.1)	258(2.8)	18 ~ 23	FF, FX, G
765	AV1239-765	Automotives/Fine finishing	Finest atomization	412(3.5)	540(4.9)	666(6.3)	23 ~ 36	E, FF, FX, G
777	31767-777	Automotives/Metallics	Finest atomization	483(3.5)	577(4.2)	636(4.9)	23 ~ 36	E, FF, FX
797	AV1239-797	Automotives/Metallics/Adhesives	Finest atomization	493(3.5)	580(4.2)	664(4.9)	23 ~ 36	E, FF, FX, G

● Please contact us regarding special air caps.

Fluid tips

Applications	Code	Fluid tip size (mm)	Parts number		
			General material and for corrosive liquid	Nitralloy	Tungsten carbide
			For corrosive liquid	Abrasive material	Enamels
Low flow rate	G	0.7	AV-651-G		
For finishing	FX	1.1	AV-651-FX		
For finishing	FF	1.4	AV-651-FF	AV-611-FF	AV-617-FF
For high speed work / maintenance paint	E	1.8	AV-651-E	AV-611-DE	AV-617-DE
For maintenance paint • Enamels	D	2.2	AV-651-D	AV-611-D	AV-617-D
Maintenance paint • High viscous liquid • Enamels	AC	2.8		AV-611-AC	AV-617-AC

Needles

Parts number	
Stainless Steel	Tungsten carbide
T-JGA-402-G	
T-JGA-402-FZ	
T-JGA-402-FZ	T-JGA-409-FF
T-JGA-402-E	T-JGA-409-DEEE
T-JGA-402-DEX	T-JGA-409-D
	T-JGA-409-AC

Note) The Fluid tip includes a copper gasket (AV-1), but there is no need to use it with a plastic baffle (MBC-142-1).
The AV-651 fluid tip includes the soft seated tip.

T-AGB Basic Part number

- Stainless Steel Body Type - Weight 540g
T-AGB-872 (Stainless steel Fluid tip / Needle)
T-AGB-873 (Nitralloy Fluid tip / Stainless steel needle)
T-AGB-874 (Tungsten carbide Fluid tip / Needle)
- Aluminum Body Type - Weight 270g
T-AGB-862 (Stainless steel Fluid tip / Needle)
- All Stainless Steel Type - Weight 530g
T-AGB-879 (Stainless steel Fluid tip / Needle)
- High Corrosion Resistant Stainless Steel Body-Weight 530g
T-AGB-882 (Stainless steel Fluid tip / Needle)

■ When ordering indicate as follows:

Example

T-AGB-872-704-FX

Gun Model No.

Air Cap Fluid Tip

*Combination of Air Cap & Fluid Tip

DEVILBISS

CFT Ransburg Japan KK

15-5, Fukuura 1-chome, Kanazawa-ku, Yokohama, Kanagawa Japan 〒236-0004
TEL : +81-45-785-6434 / FAX : +81-45-785-6517

HP <http://www.carlisleft.co.jp>

©DeVILBISS is a registered trademark of Carlisle Fluid Technologies.

For more information, please contact: